

## Water pressure proof UV sensor UVC-S



Sensor UVC-S

The water pressure-proof UVC-S sensor serves as a robust measuring head with photo diode output for UVC measurements in water disinfection and wastewater systems. The sensor can be exposed to pressure of up to 10 bar.

A long-term, stable high-sensitivity photo diode with a large active area of 1 cm<sup>2</sup> is used. This provides low noise and improved sensitivity, below 260 nm, compared to SIC sensors.

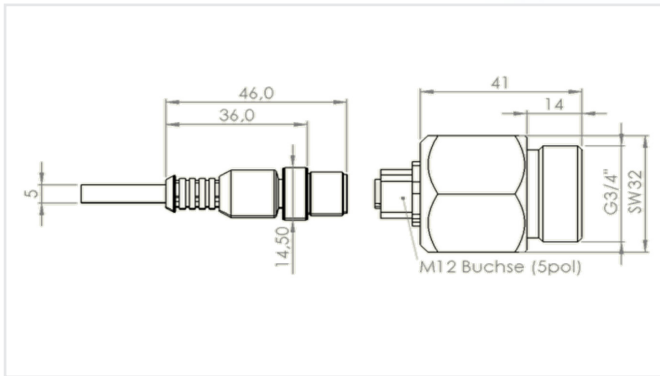
Superior corrosion resistance and long-term stability is also achieved through the use of appropriate materials. No aging is determined over a period of one year. The sensors are calibrated with traceability to the PTB (Physikalisch Technische Bundesanstalt, the German national test authority), the German national test authority. The absolute calibration is engraved on the sensor.

The sensor can be directly connected to the UV panel meter RM-31 via a shielded cable. The RM-31 works as a UV monitor and lamp control. The device displays the current irradiance on a 0% to 100% scale and also the lamp condition with three colored LEDs. Two alarms (warning and failure) are available.

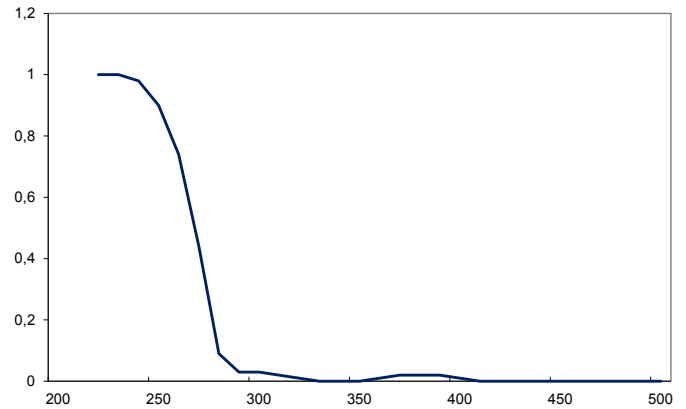
### TECHNICAL DATA

<b>Measuring range</b>	0 - 1000 W/m <sup>2</sup>
<b>Spectral range:</b>	180 - 280 nm
<b>Selectivity</b>	above 280 nm better than 4% for low-pressure HG lamps
<b>Remaining sensitivity</b>	around 650 nm
<b>Dimensions</b>	see drawing
<b>Housing material</b>	Stainless steel or brass
<b>Weight</b>	~ 180 g
<b>Water pressure</b>	up to 10 bar
<b>Connector</b>	G 3/4"
<b>Operating temperature</b>	0 to 40 °C
<b>Storage temperature</b>	-10 to 40 °C
<b>Humidity</b>	< 80%, non-condensing
<b>Cable</b>	2 m - 10 m
<b>Sensor connector</b>	M12 (5-pole), optional coax

## TECHNICAL DATA



Dimensions UVC-S



Spectral sensitivity (typical)

### CONNECTOR ASSIGNMENT M12

Anode	PIN 4 / yellow
Cathode	PIN 5 / grey

### CONNECTOR ASSIGNMENT COAX

Anode	inside
Cathode	outside

### PART NUMBERS

UVC-S stainless steel, M12	810311
UVC-S stainless steel, coax	810312
UVC-S brass, coax	810315
Cable, 2 m	920310
Cable, each add. meter	920311
RM-31	820371

### ONLINE-MONITOR RM-31



Optional UV monitor: RM-31

### SCOPE OF DELIVERY

UVC-S sensor, protecting cap, manufacturers certificate of calibration

The UVC-S sensor is also suitable for Excimer lamps due to the high sensitivity below 260 nm. For MgF2 version please contact us.

